

WL24000 Series

Reflectorized Troffer Luminaries



DESCRIPTION

WL SERIES TROFFER LUMINARIES combines a highly reflective specular reflector and an electronic ballast. These premium quality energy saving fixtures are designed to use 2 - F32T8 lamps to provide maximum efficiency in corridors, classrooms, retail stores and offices.



SAVINGS

FIXTURE	4 T-12 LAMPS	2 T-8 LAMPS (W/Reflector)
WATTS PER FIXTURE	192	58
BURN HOURS A YEAR	3,200	3,200
\$KW	\$.069	\$.069
TOTAL PER YEAR	\$42.39	\$12.81

SAVINGS: = \$42.39 - \$12.81 = **\$29.58 Per Fixture**

FORMULA: WATTS PER FIXTURE X BURN HOURS PER YEAR / 1,000 X \$KW

CONSTRUCTION

REFLECTOR

Custom designed anodized aluminum (87% reflectivity) reflector with a 25 year warranty to provide long lasting and optimum lighting. An optional Silver Film (95% reflectivity) reflector with a 10 year warranty is also available.

DIFFUSER

Clear prismatic acrylic lens to provide highly efficient illumination.

INSTALLATION

Units are recessed mounted, in inverted TBar grid suspended ceiling system.

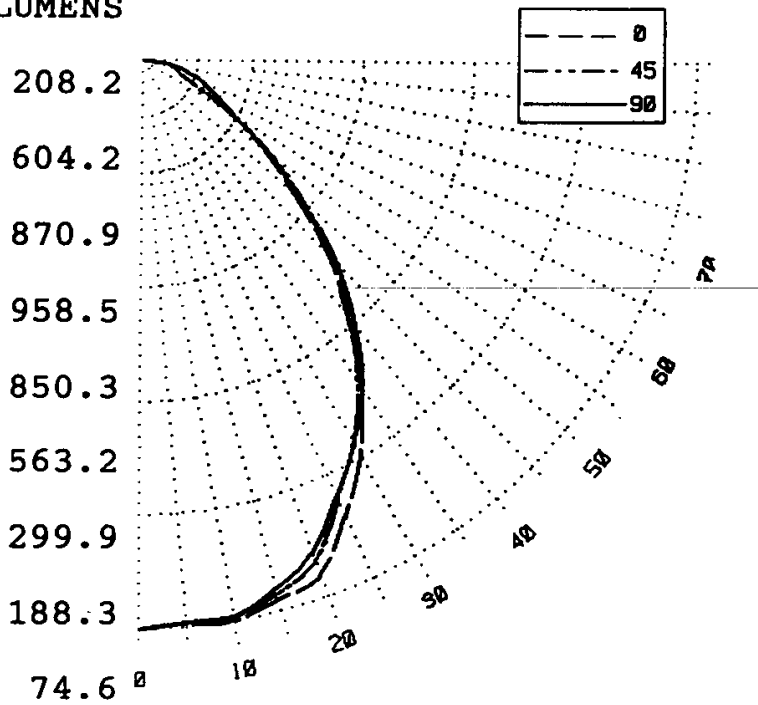
ELECTRICAL

All units are wired with Magnetek electronic ballasts, Class P Thermal protection. Available in 120 and 277 volts.

PACKAGING

Luminaries are packed individually to insure safe arrival to site.

ZONAL LUMENS



Zonal Cavity Coefficients of Utilization
Effective Floor Cavity Reflectance = .20

Ceiling	.80				.50				.30
Wall	.50	.30	.10	.50	.30	.10	.50	.30	.10
RCR									
0	.96	.96	.96	.90	.90	.90	.86	.86	.86
1	.87	.84	.81	.81	.79	.77	.78	.77	.75
2	.78	.73	.69	.74	.70	.67	.71	.68	.66
3	.70	.65	.60	.67	.62	.59	.65	.61	.58
4	.63	.57	.53	.60	.56	.52	.59	.54	.51
5	.57	.51	.46	.55	.49	.45	.53	.48	.45
6	.52	.45	.41	.50	.44	.40	.48	.44	.40
7	.47	.41	.36	.45	.40	.36	.44	.39	.35
8	.43	.36	.32	.41	.35	.31	.40	.35	.31
9	.38	.32	.28	.37	.31	.28	.36	.31	.27
10	.35	.29	.25	.34	.28	.25	.33	.28	.25

Lumen Summary

Zone	Lumens	PCT Lamp	PCT Fixture
0-30	1683.0	29.5	36.4
0-40	2642.0	46.3	57.2
0-60	4055.0	71.1	87.8
0-90	4618.0	81.0	100.0
90-180	0	0	0
0-180	4618.0	81.0	100.0

IES Spacing
Criteria:
End=1.2
Cross=1.2

ORDER SPECIFICATIONS

PART #

WL 24XXX-AL
WL 24XXX-SF

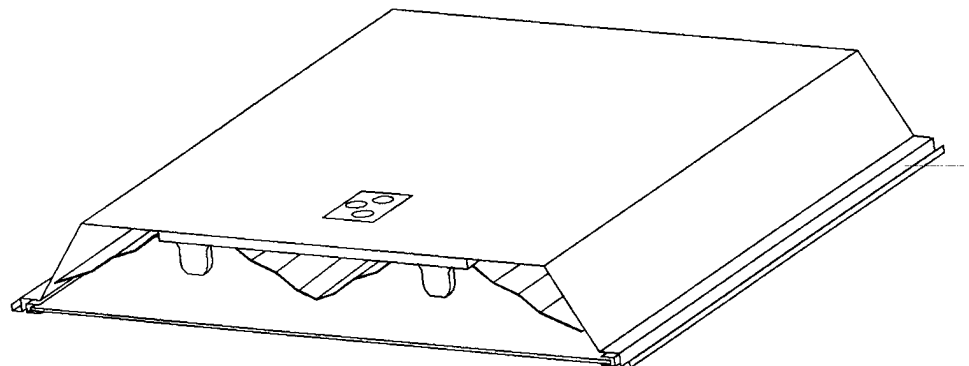
REFLECTOR TYPE

ALUMINUM (86% REFLECTANCE)
SILVER FILM (95% REFLECTANCE)

FILL IN THE XXX WITH THE BALLAST VOLTAGE.

EXAMPLE: WL 24120-AL (ALUMINUM REFLECTOR WITH A 120 VOLT BALLAST)

Fixtures are designed for two 4' T-8 lamps.
Lamps not included.



WL22000 Series

Reflectorized Troffer Luminaries



DESCRIPTION

WL SERIES TROFFER LUMINARIES combines a highly reflective specular reflector and an electronic ballast. These premium quality energy saving fixtures are designed to use 2 - F17T8 lamps to provide maximum efficiency in corridors, classrooms, retail stores and offices.



SAVINGS

FIXTURE	4 T-12 LAMPS	2 T-8 LAMPS (W/Reflector)
WATTS PER FIXTURE	112	38
BURN HOURS A YEAR	3,200	3,200
\$KW	\$.069	\$.069
TOTAL PER YEAR	\$24.73	\$8.39

SAVINGS: = \$24.73 - \$8.39 = **\$16.34 Per Fixture**

FORMULA: WATTS PER FIXTURE X BURN HOURS PER YEAR / 1,000 X \$KW

CONSTRUCTION

REFLECTOR

Custom designed anodized aluminum (87% reflectivity) reflector with a 25 year warranty to provide long lasting and optimum lighting. An **optional** Silver Film (95% reflectivity) reflector with a 10 year warranty is also available.

DIFFUSER

Clear prismatic acrylic lens to provide highly efficient illumination.

INSTALLATION

Units are recessed mounted, in inverted T-Bar grid suspended ceiling system.

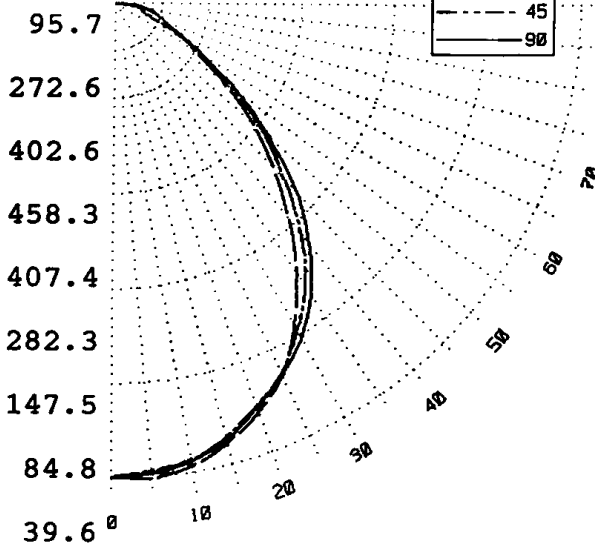
ELECTRICAL

All units are wired with Magnetek electronic ballasts, Class P Thermal protection. Available in 120 and 277 volts.

PACKAGING

Luminaries are packed individually to insure safe arrival to site.

ZONAL LUMENS



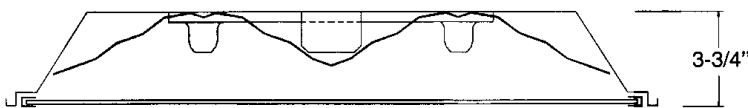
Zonal Cavity Coefficients of Utilization
Effective Floor Cavity Reflectance = .20

Ceiling	.80			.50			.30			
Wall	.50	.30	.10	.50	.30	.10	.50	.30	.10	
RCR	0	.97	.97	.97	.90	.90	.90	.86	.86	.86
	1	.87	.84	.81	.81	.79	.77	.78	.77	.75
	2	.78	.73	.69	.73	.70	.67	.71	.68	.65
	3	.70	.64	.60	.67	.62	.58	.64	.61	.58
	4	.63	.57	.52	.60	.55	.51	.58	.54	.51
	5	.57	.50	.46	.54	.49	.45	.53	.48	.44
	6	.51	.45	.40	.49	.44	.40	.48	.43	.39
	7	.47	.40	.36	.45	.39	.35	.44	.39	.35
	8	.42	.36	.31	.40	.35	.31	.39	.34	.31
	9	.38	.32	.27	.36	.31	.27	.36	.31	.27
	10	.35	.28	.24	.33	.28	.24	.33	.28	.24

Lumen Summary

Zone	Lumens	PCT Lamp	PCT Fixture
0-30	771.0	28.6	35.2
0-40	1229.0	45.5	56.1
0-60	1919.0	71.1	87.6
0-90	2191.0	81.0	100.0
90-180	0	0	0
0-180	2191.0	81.0	100.0

IES Spacing
Criteria:
End=1.2
Cross=1.2



ORDER SPECIFICATIONS

Part #

WL 22XXX-AL
WL 22XXX-SF

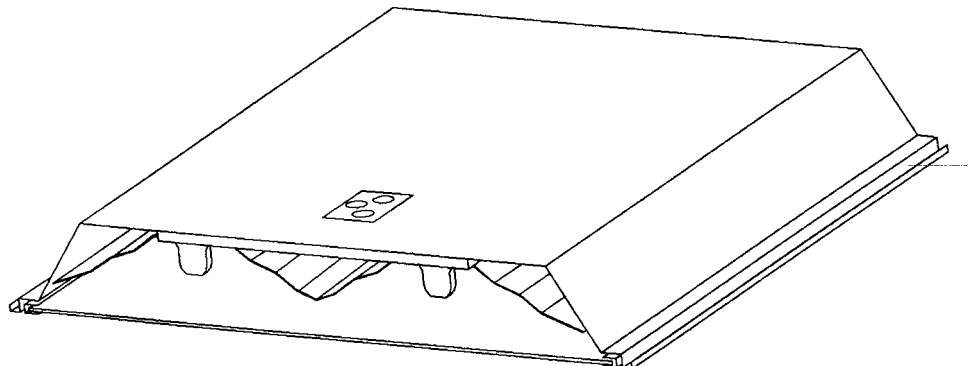
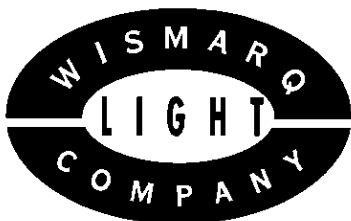
REFLECTOR TYPE

ALUMINUM 86% REFLECTANCE
SILVER FILM (95% REFLECTANCE)

FILL IN THE XXX WITH THE BALLAST VOLTAGE.

EXAMPLE: WL 22120-AL (ALUMINUM REFLECTOR WITH A 120 VOLT BALLAST)

Fixtures are designed for two 2' T-8 lamps.
Lamps not included.



WL14000 Series

Reflectorized Troffer Luminaries



DESCRIPTION

WL SERIES TROFFER LUMINARIES combines a highly reflective specular reflector and an electronic ballast. These premium quality energy saving fixtures are designed to use 1 - F32T8 lamps to provide maximum efficiency in corridors, classrooms, retail stores and offices.



SAVINGS

FIXTURE	2 T-12 LAMPS	1 T-8 LAMPS (W/Reflector)
WATTS PER FIXTURE	96	36
BURN HOURS A YEAR	3,200	3,200
\$KW	\$.069	\$.069
TOTAL PER YEAR	\$21.20	\$7.95

SAVINGS: = \$21.20 - \$7.95 = **\$13.25 Per Fixture**

FORMULA: WATTS PER FIXTURE X BURN HOURS A YEAR / 1,000 X \$KW

CONSTRUCTION

REFLECTOR

Custom designed anodized aluminum (87% reflectivity) reflector with a 25 year warranty to provide long lasting and optimum lighting. An **optional** Silver Film (95% reflectivity) reflector with a 10 year warranty is also available.

DIFFUSER

Clear prismatic acrylic lens to provide highly efficient illumination.

INSTALLATION

Units are recessed mounted, in inverted T-Bar grid suspended ceiling system.

ELECTRICAL

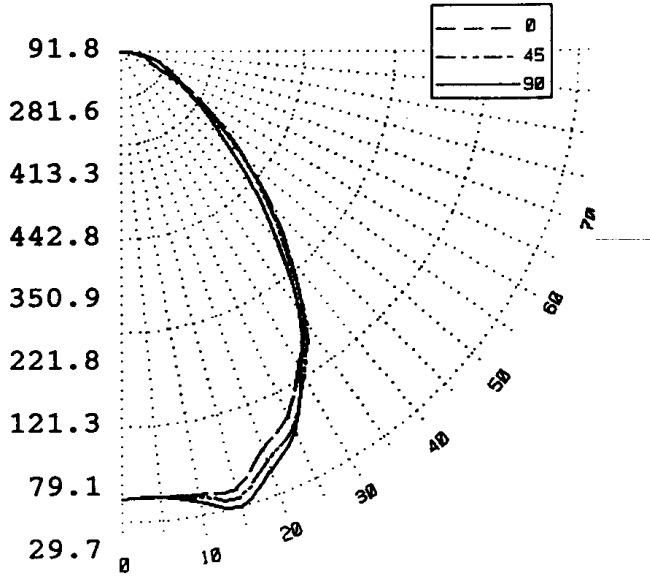
All units are wired with Magnetek electronic ballasts, Class P Thermal protection. Available in 120 and 277 volts.

PACKAGING

Luminaries are packed individually to insure safe arrival to site.

Zonal Cavity Coefficients of Utilization
Effective Floor Cavity Reflectance = .20

ZONAL
LUMENS

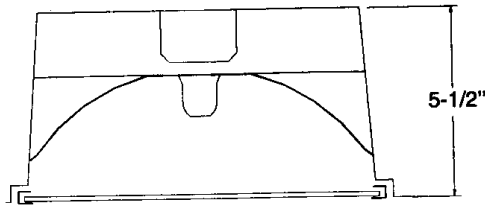


Ceiling	.80			.50			.30		
Wall	.50	.30	.10	.50	.30	.10	.50	.30	.10
RCR									
0	.85	.85	.85	.79	.79	.79	.76	.76	.76
1	.76	.74	.72	.72	.70	.68	.69	.68	.66
2	.68	.65	.62	.65	.62	.60	.63	.60	.58
3	.62	.58	.54	.59	.56	.52	.57	.54	.52
4	.56	.51	.47	.54	.50	.46	.52	.49	.46
5	.51	.46	.41	.49	.44	.41	.48	.44	.40
6	.46	.41	.37	.45	.40	.37	.44	.39	.36
7	.42	.37	.33	.41	.36	.33	.40	.35	.32
8	.38	.33	.29	.37	.32	.29	.36	.32	.29
9	.35	.29	.26	.33	.29	.25	.33	.28	.25
10	.32	.26	.23	.31	.26	.23	.30	.26	.23

Lumen Summary

Zone	Lumens	PCT Lamp	PCT Fixture
0-30	787.0	27.6	38.7
0-40	1230.0	43.1	60.5
0-60	1802.0	63.2	88.7
0-90	2032.0	71.3	100.0
90-180	0	0	0
0-180	2032.0	71.3	100.0

IES Spacing
Criteria:
End=1.2
Cross=1.2



ORDER SPECIFICATIONS

Part #

WL 14XXX-AL
WL 14XXX-SF

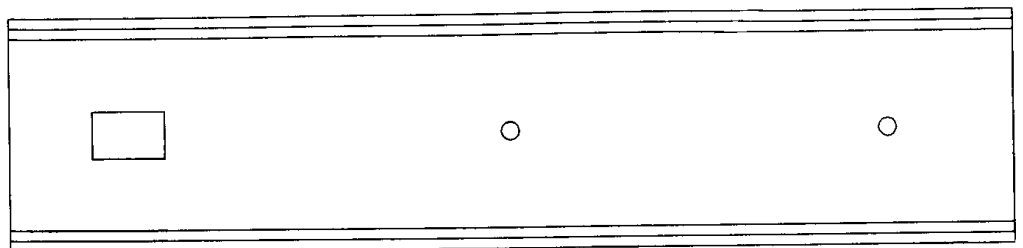
REFLECTOR TYPE

ALUMINUM (86% REFLECTANCE)
SILVER FILM (95% REFLECTANCE)

FILL IN THE XXX WITH THE BALLAST VOLTAGE.

EXAMPLE: WL 22120-AL (ALUMINUM REFLECTOR WITH A 120 VOLT BALLAST)

Fixtures are designed for one 4' T-8 lamps
Lamps not included



WLWRAP SERIES

REFLECTORIZED WRAPAROUND LUMINARIES



DESCRIPTION

WL SERIES WRAPAROUND LUMINARIES combine high reflectivity aluminum specular reflectors and electronic ballasts with high efficiency T8 lamps. These premium quality energy saving fixtures are designed to provide maximum efficiency in corridors, classrooms, retail stores and offices. The clean, crisp housing design makes WISMARQ wraparound luminaries a visually attractive alternative to the wraps most commonly found in use today.



SAVINGS

FIXTURE	2 T-12 LAMPS	1 T-8 LAMPS (W/Reflector)
WATTS PER FIXTURE	96	36
BURN HOURS A YEAR	3,200	3,200
\$KW	\$.069	\$.069
TOTAL PER YEAR	\$21.20	\$7.95

SAVINGS: = \$21.20 - \$7.95 = \$13.25 Per Fixture

FORMULA: WATTS PER FIXTURE X BURN HOURS PER YEAR / 1,000 X \$KW

CONSTRUCTION

REFLECTOR

Custom designed high performance anodized aluminum reflector with a 25 year warranty provide uniform, long lasting and optimum lighting.

DIFFUSER

Clear prismatic acrylic lens with pattern #4 prisms to provide highly efficient illumination.

HOUSING

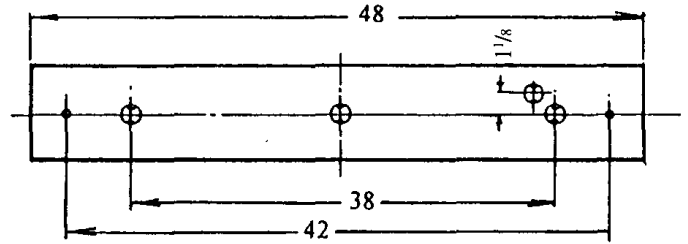
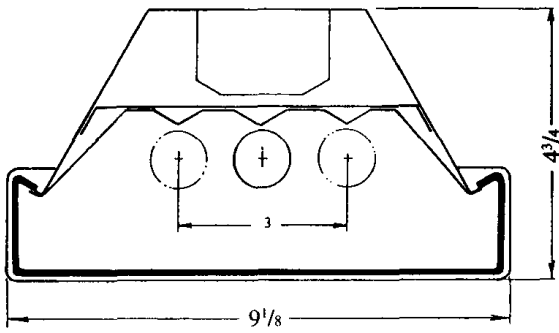
Custom designed rigid heavy gauge and painted in baked white enamel housing available in 4 ft and 8 ft lengths. These luminaries are designed for surface or pendant mounting.

ELECTRICAL

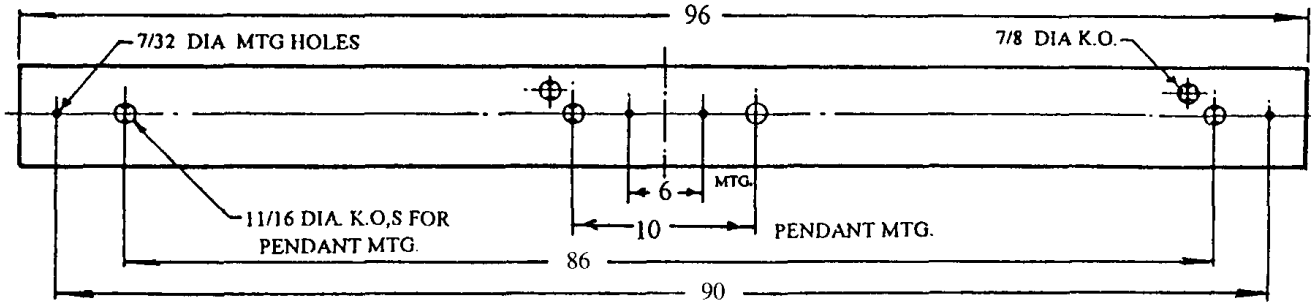
Wired for 1, 2, or 4 T8 lamps and equipped with high efficiency electronic ballast. 2-8 ft fixtures are also available wired in tandem with a 4 lamp ballast.

PACKAGING

Luminaries are packed individually to insure safe arrival to site.

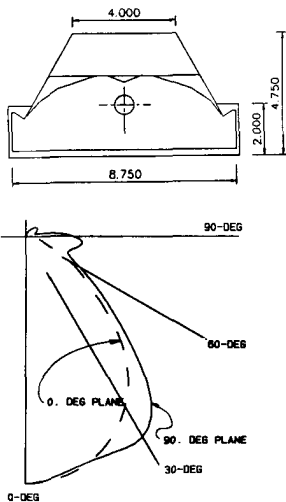


4 FT HOUSING BACK PIERCING



8 FT HOUSING BACK PIERCING

1 LAMP FIXTURE



Zonal Cavity Coefficients of Utilization
Effective Floor Cavity Reflectance = .20

Ceiling	.80		.50		.30	
Wall	.50	.30	.10	.50	.30	.10
RCR						
0	96	96	96	87	87	87
1	84	81	78	77	74	72
2	75	70	65	69	65	61
3	67	61	56	62	57	53
4	60	54	49	56	50	46
5	54	47	42	50	45	40
6	49	42	37	45	40	36
7	44	37	33	41	36	31
8	40	33	28	37	32	28
9	36	29	25	34	28	24
10	33	26	22	31	25	21

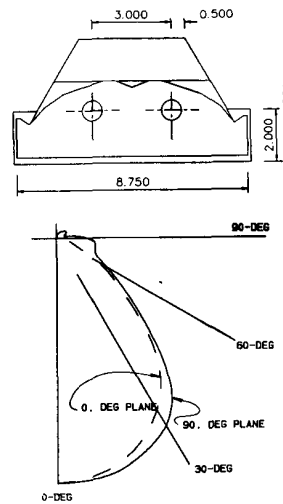
Efficiency = 82.6%

Lumen Summary

Zone	Lumens	PCT Lamp	PCT Fixt
0-30	638	23.7	28.7
0-40	1136	39.2	47.5
0-60	1772	61.1	74.0
0-90	2168	74.8	90.6
90-180	226	7.8	9.4
0-180	2394	82.6	100.0

IES Spacing Criteria:
END = 1.2
CROSS = 1.4

2 LAMP FIXTURE



Zonal Cavity Coefficients of Utilization
Effective Floor Cavity Reflectance = .20

Ceiling	.80		.50		.30	
Wall	.50	.30	.10	.50	.30	.10
RCR						
0	91	91	91	83	83	83
1	80	77	74	73	71	69
2	71	66	62	65	62	59
3	64	58	54	59	55	51
4	57	51	47	53	48	45
5	51	45	40	48	43	39
6	47	40	36	44	38	35
7	42	36	31	40	34	31
8	38	32	28	36	31	27
9	34	28	24	32	27	23
10	31	25	21	30	24	20

Efficiency = 77.3%

Lumen Summary

Zone	Lumens	PCT Lamp	PCT Fixt
0-30	1373	23.7	30.6
0-40	2227	38.4	49.7
0-60	3433	59.2	76.6
0-90	4132	71.2	92.2
90-180	352	6.1	7.8
0-180	4484	77.3	100.0

IES Spacing Criteria:
END = 1.2
CROSS = 1.3

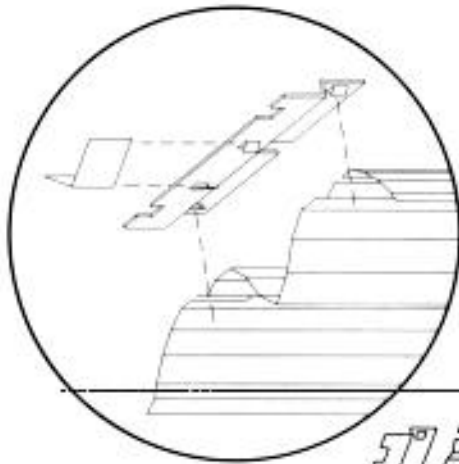
PARTS SPECIFICATIONS

Part #	Lamps	Ballast #	Length	Voltage	Part #	Lamps	Ballast #	Length	Voltage
WL41-120-1	1	1	4'	120	WL42-277-2	2	1	4'	277
WL81-120-1	2	1	8'	120	WL82-277-2	4	1	8'	277
WL41-277-1	1	1	4'	277	WL81-120-2-T	4	1	16' (2-8')	120
WL81-277-1	2	1	8'	277	WL82-277-2-T	8	1	16' (2-8')	277
WL42-120-2	2	1	4'	120	All fixtures are designed for 4' T-8 lamps.				
WL82-120-2	4	1	8'	120	Lamps not included.				



Designed for
TROFFERS

Fluorescent Reflectors for Retrofit of Troffer Fixtures



Code #	Description	Troffer dimesions
FULL REFLECTORS		
DF-2220	1 Reflector 20"	2' X 2'
DF-2444	1 Reflector 44"	2' X 4'
DOUBLE IMAGING REFLECTORS		
DP-20	2 Reflectors + 20 1/2"	2'X 2'
DP-44	2 Reflectors + 44"	2' X 4'
DC-44	1 Reflector + 44" (3 To 2 Lamps)	2' X 4'
BALLAST COVER REPLACER KITS		
DF-2222	1 21 1/2" Reflector + Brackets and sockets	2' X 2'
DF-2445	1 45 1/2" Reflector + Brackets and sockets	2' X 4'
DF-1425	* 1 Single Reflector + Brackets and sockets	1' X 4'

* Fill Out Measuring Sheet

TECHNICAL INFORMATION

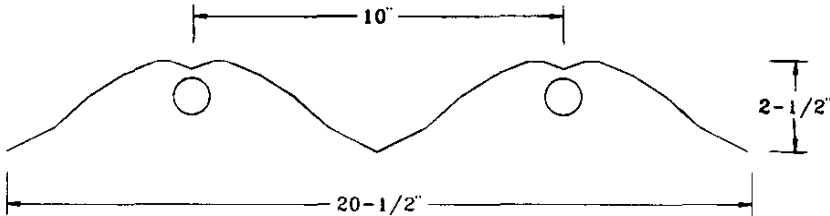
25 YEAR WARRANTY

WISMARQ warrants for a period of 25 years that anodized aluminum lighting sheets shall be free from defects: not to yellow, darken, peel, blister, crack or reduce source image reflectance due to exposure to fluorescent lamp radiation and heat up to 100 degrees Centigrade.

REFLECTOR CLEANING

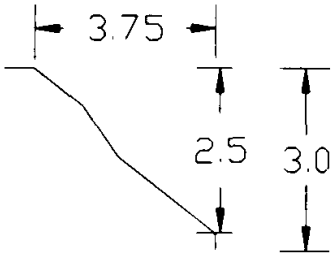
Specular Reflectors may be cleaned with a mist of 2% liquid detergent in warm water and wiped dry. Synthetic sponges or soft cloths are recommended to be used with cleaning agents.

DESIGN MEASUREMENTS

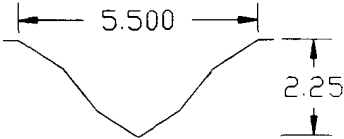


DF

A minimum depth clearance of 3 " is needed to allow for the socket bar and reflectors.



DP



DC

TECHNICAL INFORMATION

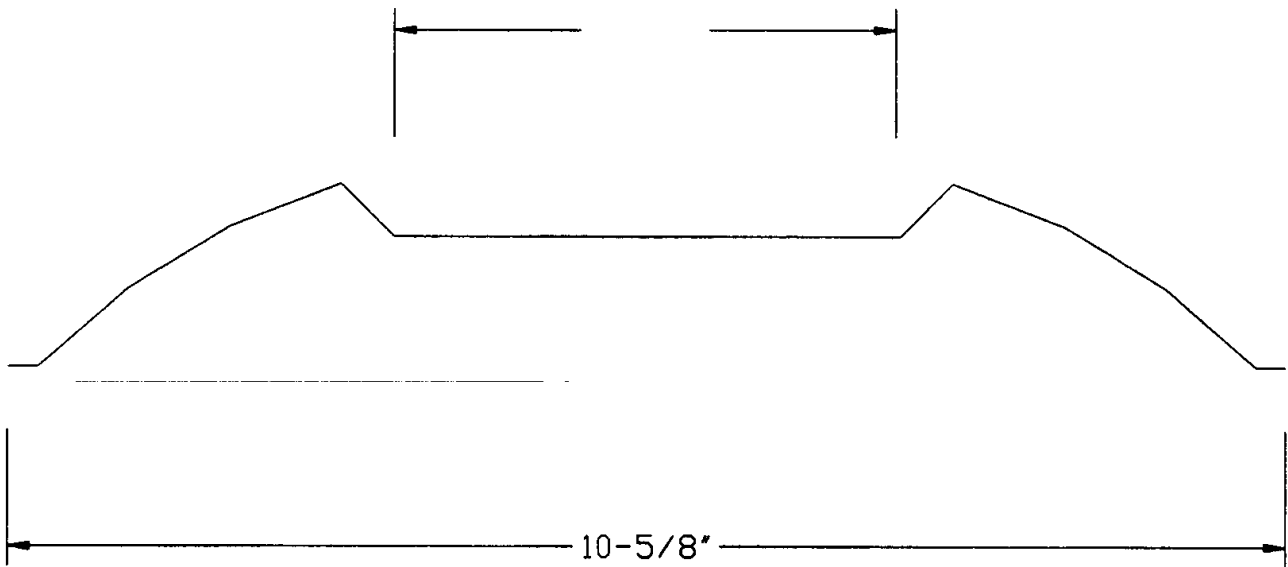
25 YEAR WARRANTY

WISMARQ warrants for a period of 25 years that anodized aluminum lighting sheets shall be free from defects: not to yellow, darken, peel, blister, crack or reduce source image reflectance due to exposure to fluorescent lamp radiation and heat up to 100 degrees Centigrade.

REFLECTOR CLEANING

Specular Reflectors may be cleaned with a mist of 2% liquid detergent in warm water and wiped dry. Synthetic sponges or soft cloths are recommended to be used with cleaning agents.

DESIGN MEASUREMENTS

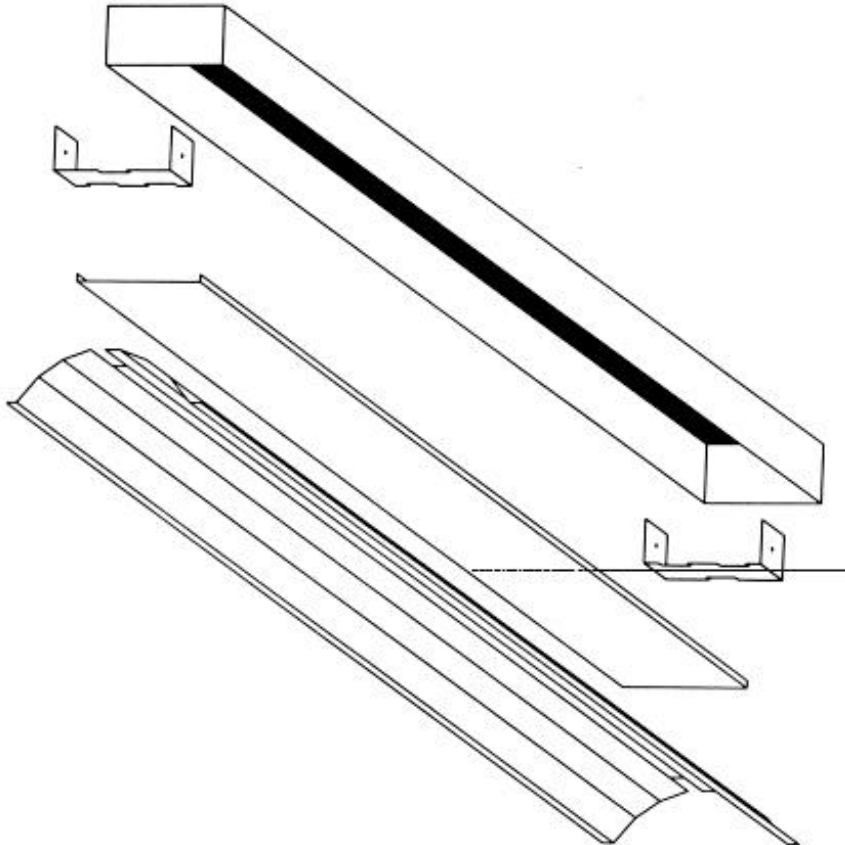


DESIGNED FOR

STRIPLIGHTS

Fluorescent Reflectors for Retrofit of Striplight

Designed for Delamping 2 to 1 Lamps,
or Increasing light levels when needed.



<u>CODE #</u>	<u>DESCRIPTION</u>	<u>LENGTH</u>
DS96	PRE-NOTCHED FOR LAMP HOLDERS	96 1/2"
DS97	PRE-NOTCHED FOR LAMP HOLDERS (Two Equal Segments for Ease of Installation and Ballast Entry)	97"
DS48	PRE-NOTCHED FOR LAMP HOLDER	48 1/2"

Note: When Delamping, 2 Conversion Brackets Per Fixture Are Required

TECHNICAL INFORMATION

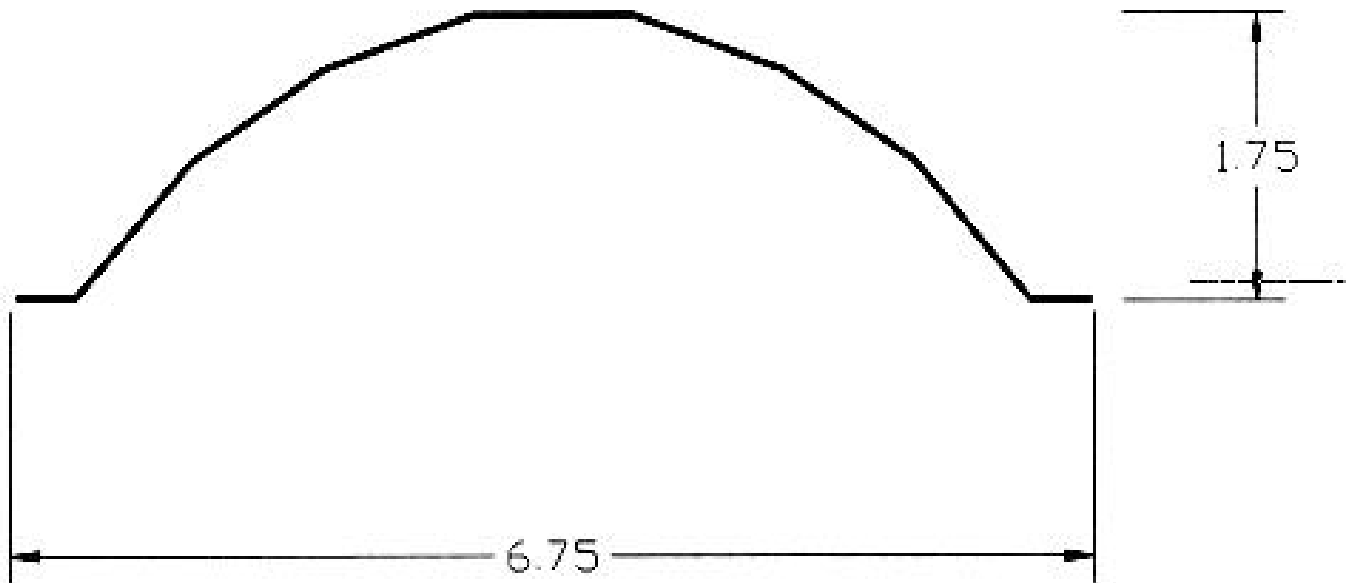
25 YEAR WARRANTY

WISMARQ warrants for a period of 25 years that anodized aluminum lighting sheets shall be free from defects: not to yellow, darken, peel, blister, crack or reduce source image reflectance due to exposure to fluorescent lamp radiation and heat up to 100 degrees Centigrade.

REFLECTOR CLEANING

Specular Reflectors may be cleaned with a mist of 2% liquid detergent in warm water and wiped dry. Synthetic sponges or soft cloths are recommended to be used with cleaning agents.

DESIGN MEASUREMENTS

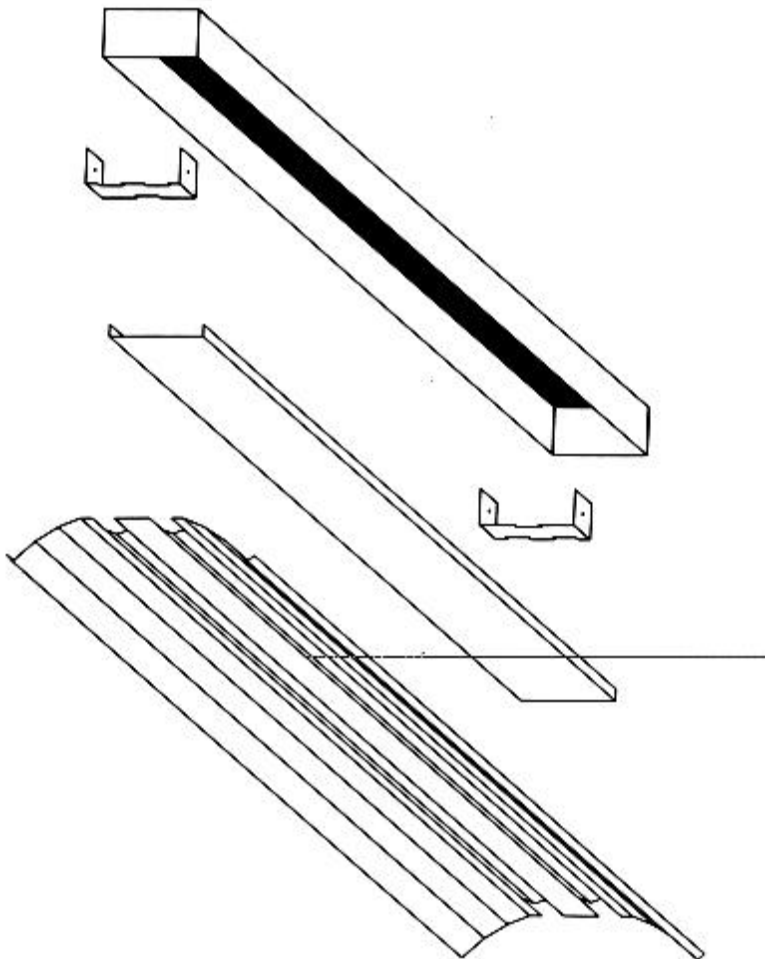


DESIGNED FOR

STRIPLIGHTS

Fluorescent Reflectors for Retrofit of Striplight

Designed for revamping 4 to 2 Lamps,
or increasing light levels when needed.



D42S96	PRE-NOTCHED FOR LAMPHOLDERS	96 1/2"
D42S97	PRE-NOTCHED FOR LAMPHOLDERS (Two Equal Segments for Ease of Installation and Ballast Entry)	97"
D42S48	PRE-NOTCHED FOR LAMPHOLDER	48"

Note: When delamping, 2 conversion brackets per fixture are required.

TECHNICAL INFORMATION

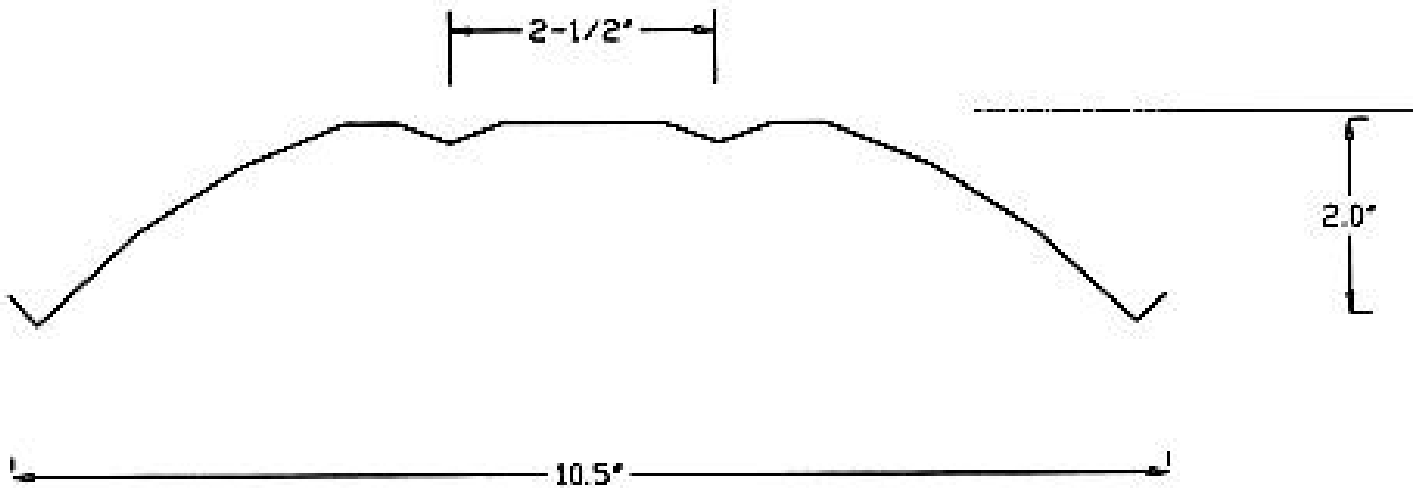
25 YEAR WARRANTY

WISMARQ warrants for a period of 25 years that anodized aluminum lighting sheets shall be free from defects: not to yellow, darken, peel, blister, crack or reduce source image reflectance due to exposure to fluorescent lamp radiation and heat up to 100 degrees Centigrade.

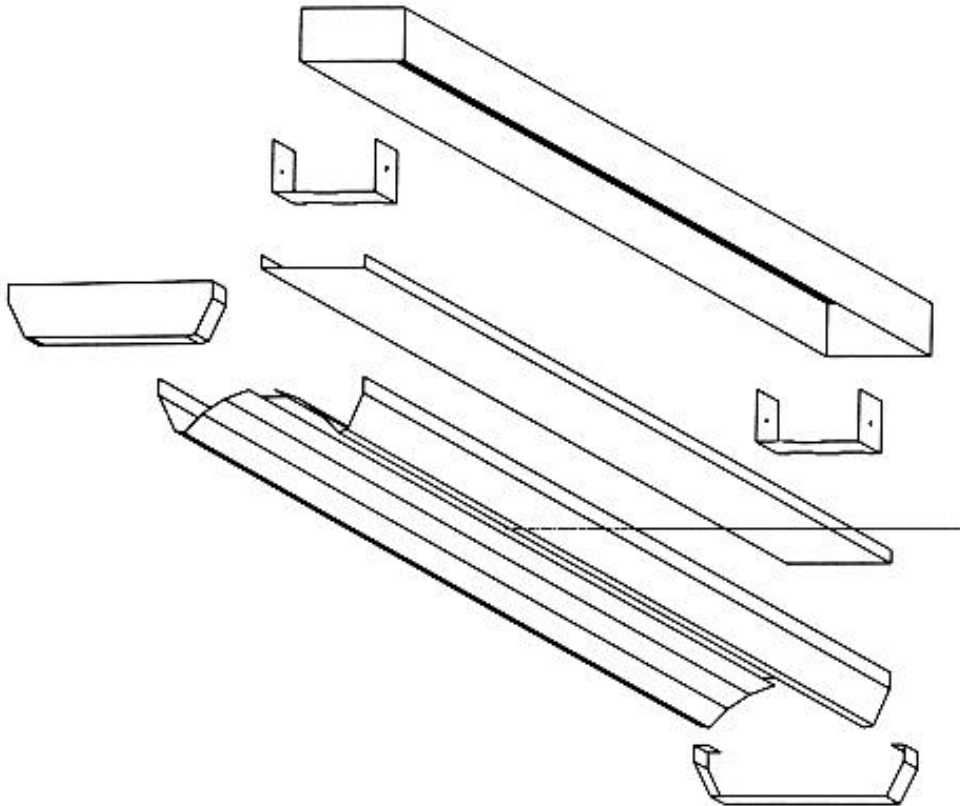
REFLECTOR CLEANING

Specular reflectors may be cleaned with a mist of 2% liquid detergent in warm water and wiped dry. Synthetic sponges or soft cloths are recommended to be used with cleaning agents.

DESIGN MEASUREMENTS



DESIGNED FOR
STRIPLIGHTS 2 TO 1 Lamps
Full Face Reflector Series



<u>CODE #</u>	<u>DESCRIPTION</u>	<u>LENGTH</u>
DND96	PRE-NOTCHED FOR LAMP HOLDERS	96 1/2"
DND97	PRE-NOTCHED FOR LAMP HOLDERS (Two Equal Segments for Ease of Installation and Ballast Entry	97"
DND48	PRE-NOTCHED FOR LAMP HOLDER	48 1/2"
CSS	CENTER SOCKET SHIELD —FOR TANDEM FIXTURING	"CUSTOM"
ESS	END SOCKET SHIELD	"CUSTOM"

Note: When delamping, 2 conversion brackets per fixture are required.

TECHNICAL INFORMATION

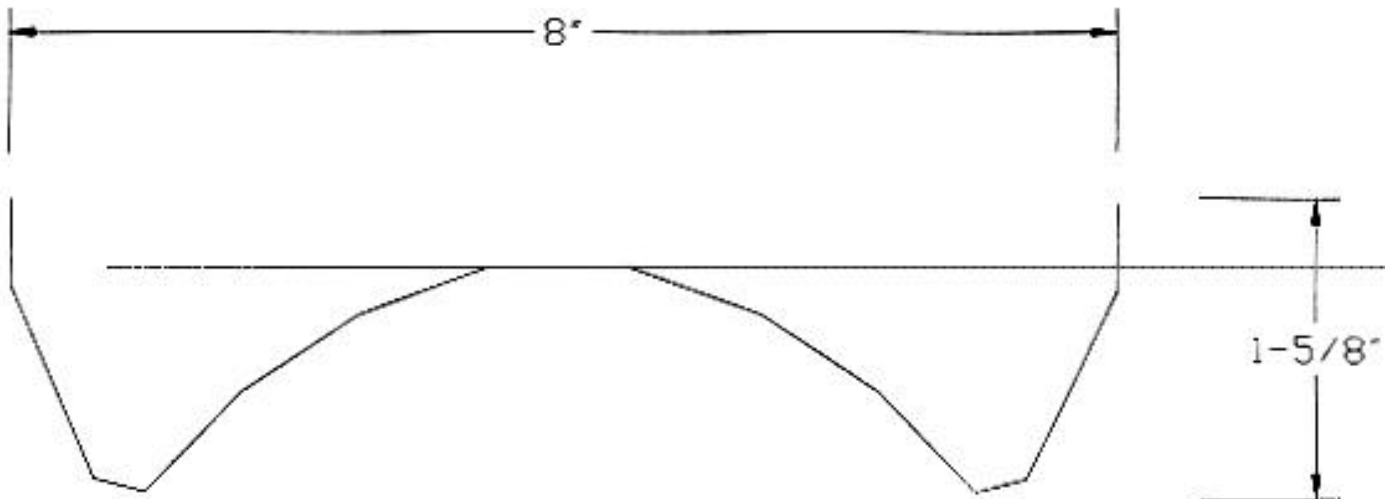
25 YEAR WARRANTY

WISMARQ warrants for a period of 25 years that anodized aluminum lighting sheets shall be free from defects: not to yellow, darken, peel, blister, crack or reduce source image reflectance due to exposure to fluorescent lamp radiation and heat up to 100 degrees Centigrade.

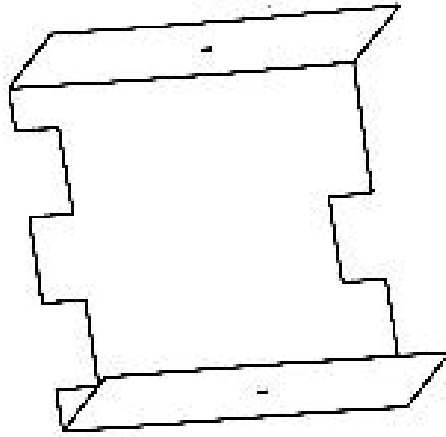
REFLECTOR CLEANING

Specular Reflectors may be cleaned with a mist of 2% liquid detergent in warm water and wiped dry. Synthetic sponges or soft cloths are recommended to be used with cleaning agents.

DESIGN MEASUREMENTS



CONVERSION BRACKET FOR STRIPLIGHTS—TROFFERS



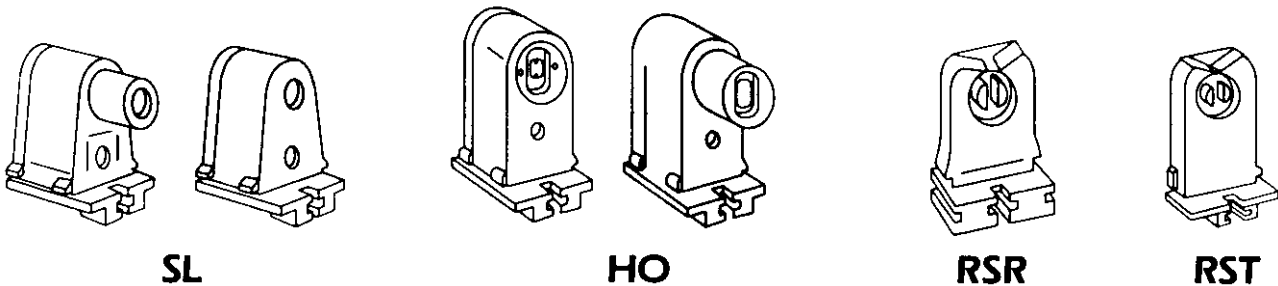
<u>CODE #</u>	<u>DESCRIPTION /STRIPLIGHTS</u>	<u>PRE-NOTCHED FOR</u>
UBS425	U-BRACKET 4 1/4" Wide (STANDARD STRIPS)	1 HO/SLIMLINE
UBS500	U-BRACKET 5" Wide (INDUSTRIAL STRIPS)	1 HO/SLIMLINE
UBC-1	U-BRACKET "CUSTOM" (MEASUREMENTS NEEDED)	1 SPECIFY
UBR425	U-BRACKET 4 1/4" Wide (STANDARD STRIPS)	2/1 RAPID STARTS
UBR500	U-BRACKET 5" Wide (STANDARD STRIPS)	2/1 RAPID STARTS
UBC-2	U-BRACKET "CUSTOM" (MEASUREMENTS NEEDED)	2 SPECIFY



<u>CODE #</u>	<u>DESCRIPTION/TROFFERS</u>	<u>NO. OF LAMPS</u>
SB14	SOCKET BRACKET 1' X 4' "CUSTOM" (MEASUREMENTS NEEDED)	1 lamp
SB24	SOCKET BRACKET 2' X 4'	2 lamp



LAMPHOLDERS



<u>CODE #</u>	<u>DESCRIPTION</u>	<u>PACK</u>
LH-SL	SLIMLINE, SINGLE PIN	PAIR
LH-HO	HO LAMPHOLDERS	PAIR
LH-RSR	RAPID START-BI-PIN	SINGLE
LH-RST	RAPID START-BI-PIN TALL	SINGLE



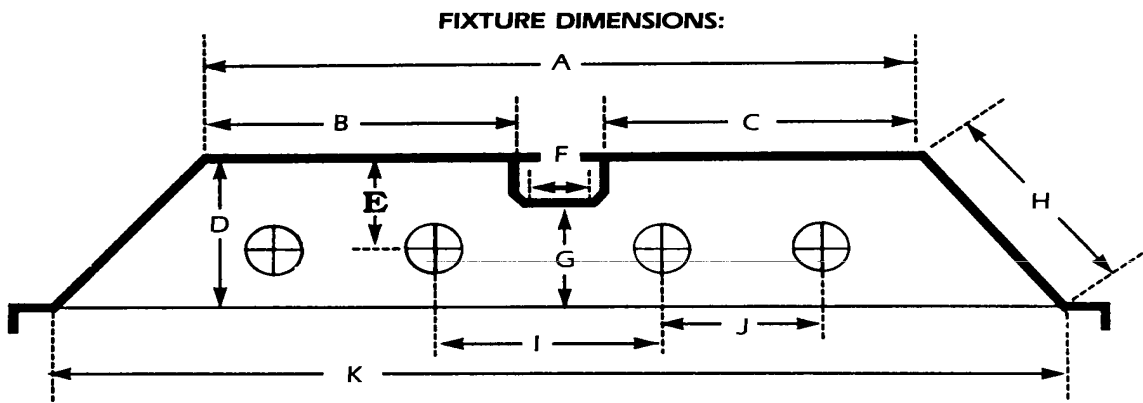
2 x 4 FIXTURE MEASURING SHEET

Distributor: _____

Project Name: _____

Type of Reflector: _____

Estimated Quantity: _____



MEASUREMENTS OF YOUR FIXTURE

COMMENTS

- A. _____ G. _____
- B. _____ H. _____
- C. _____ I. _____
- D. _____ J. _____
- E. _____ K. _____
- F. _____

The full reflector will come with new wireways to move sockets 5 " from fixture centerline.

Is there anything unusual about this fixture which would prevent a successful retrofit?

Air Return Vents? _____

Louvers? _____ Kind? _____

Other ? _____

Length between wire ways: _____

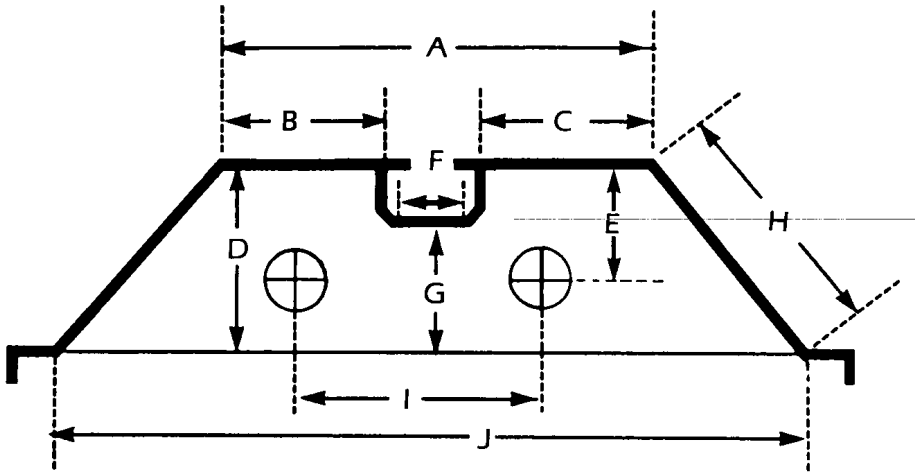
Please enclose photo of fixture and socket area.

BALLAST COVER (circle one)

- 1.
- 2.
- 3.
- 4.
- 5.
- 6.
- 7.
- 8.

1 x 4 FIXTURE MEASURING SHEET

FIXTURE DIMENSIONS:



Distributor: _____

Project name: _____

Estimated quantity: _____

MEASUREMENTS OF YOUR FIXTURE

- A. _____ G. _____
- B. _____ H. _____
- C. _____ I. _____
- D. _____ J. _____
- E. _____ K. _____
- F. _____

COMMENTS

Is there anything unusual about this fixture which would prevent a successful retrofit?

Air Return Vents? _____

Louvers? _____ Kind? _____

Other? _____ Describe: _____

Please enclose photo of fixture and socket area.

Length between wire ways: _____

BALLAST COVER (Circle one)

- 1.
- 2.
- 3.
- 4.
- 5.
- 6.
- 7.
- 8.

STRIP FIXTURE MEASURING

Distributor: _____

Project Name: _____

Type of Reflector: _____

Est. Quantity: _____

Measurements:

Two Lamp FX

Three Lamp

Four Lamp

1. _____

1. _____

1. _____

2. _____

2. _____

2. _____

3. _____

3. _____

3. _____

4. _____

4. _____

4. _____

5. _____

5. _____

5. _____

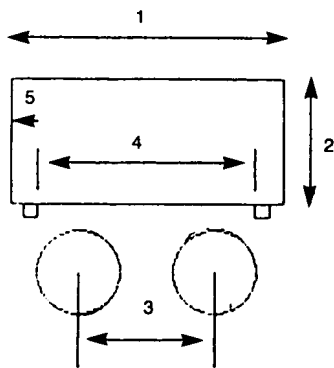
6. _____

Make a detailed sketch of bottom view on reverse side.

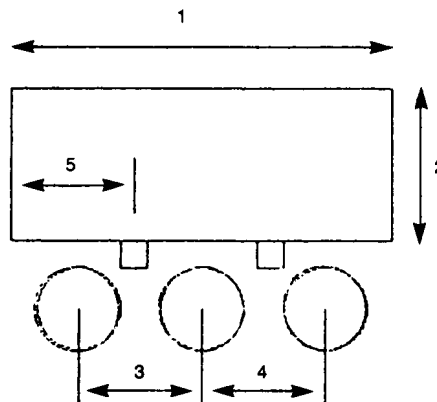
Reflector will be 97" long to allow for 1/2" overlap. If different length is desired, please specify.

See drawings below and be sure to use appropriate drawing. Please note any unusual items.

END VIEW



END VIEW



END VIEW

